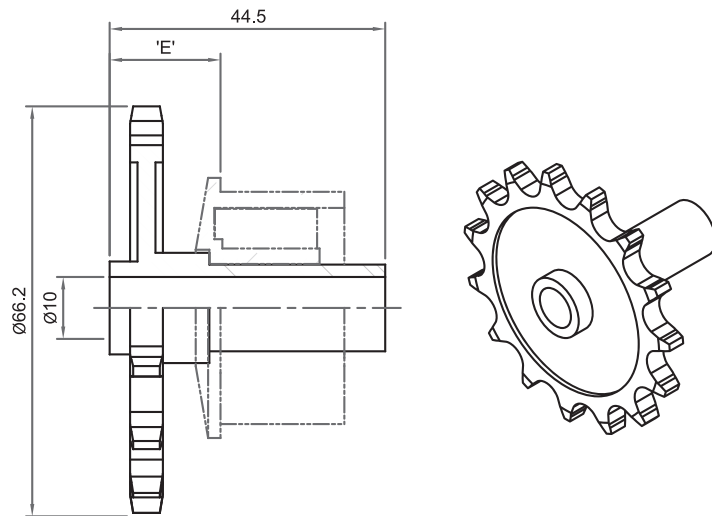


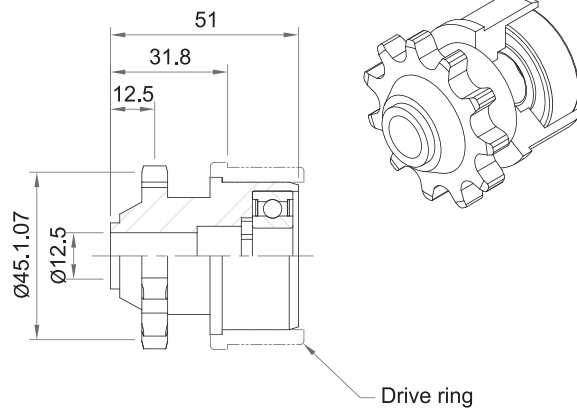
SP6 / SP10 Lightweight Roller Drive

- White Acetal.
- Effective bush bearing.
- ½" pitch (takes B.S. chain).
- 15 tooth.
- Fits range of end caps.
- Bore size
 - SP6 (6.5mm)
 - SP10 (10mm)



Z11S Sprocket

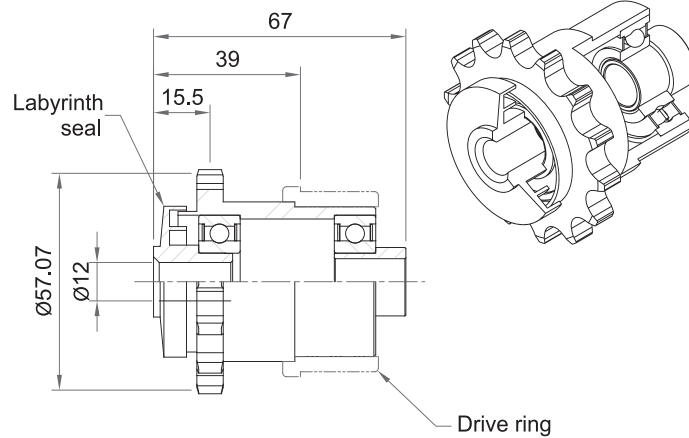
- Black nylon body.
- 6202 precision bearing (Inner).
- Black nylon bush bearing (Outer).
- 11 tooth.
- ½" pitch.
- Fixed drive (Z11SF).
- Loose (Z11SL).
- Fits range of tube sizes with adaptors (see drive ring details).
- Standard 12mm bore (other sizes special order).
- Options;
 - Stainless steel precision bearing
 - Blind bush on outer



SPROCKETS

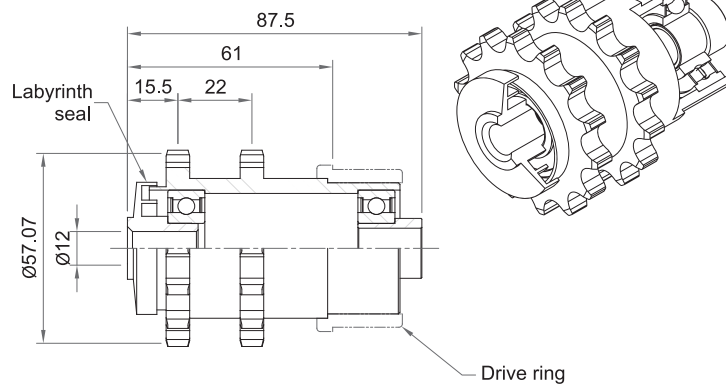
Z14S Single Row

- Black nylon body.
- Black polypropylene labyrinth & reducer bush.
- 14 tooth.
- ½" pitch.
- Fixed drive (Z14SF).
- Loose (Z14SL).
- Fits range of tube sizes with adaptors.
- Standard 12mm bore. (other sizes special order)
- Can be fitted with any 507 series labyrinth for other shaft sizes.
- Option; Stainless steel precision bearings



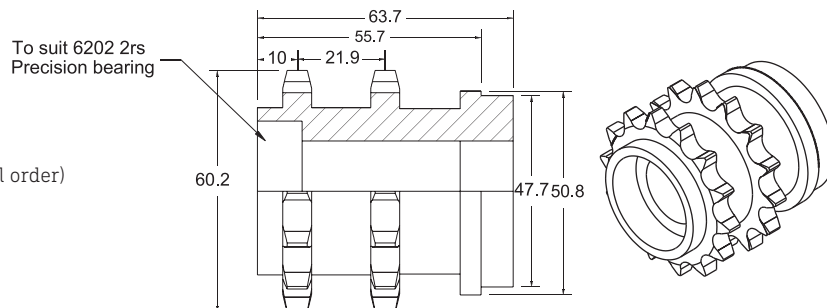
Z14D Double Row

- Black nylon or zinc plated steel body*.
- Black polypropylene labyrinth & reducer bush.
- 14 tooth.
- ½" pitch.
- Fixed drive (Z14DF).
- Loose (Z14DL).
- Fits range of tube sizes with adaptors.
- Standard 12mm bore.
- Can be fitted with any 507 series labyrinth for other shaft sizes.
- Option; Stainless steel precision bearings
- Zinc Plated Steel Type: ZM14D



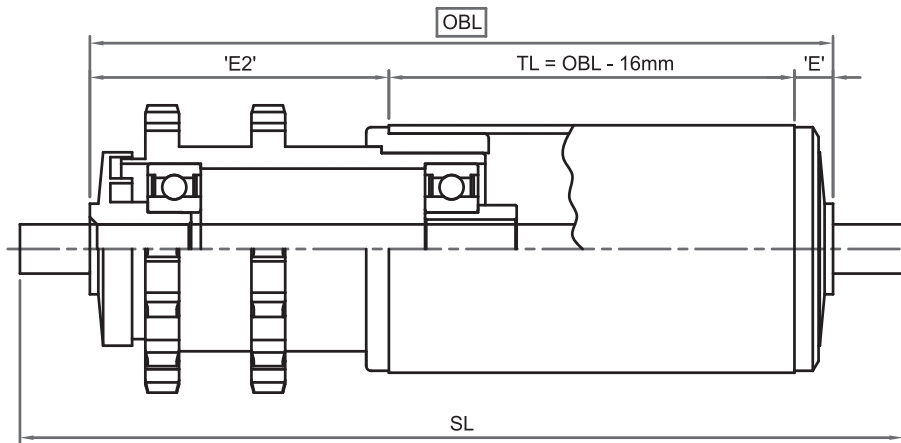
ZMW14D Double Row (weld in)

- Zinc plated steel body
- 14 tooth
- ½" pitch
- Fits 50 x 1.5mm Steel Tube
- Standard bore 12mm (other sizes special order)



DRIVEN ROLLERS

Driven Roller Tube Diameter - 50, 60, & 89mm



	'E'			'E2'
	Tube Size			Ø50, Ø60, & Ø89mm
	Ø50mm	Ø60mm	Ø89mm	
Z11S	8	7.5	9.5	32
Z14S	8	7.5	9.5	39
Z14D	8	7.5	9.5	61
TB20	8	7.5	9.5	49.5
Bearing Type	507	607	897	
Accumulating Pressure	4 - 7%	2 - 5%	1 - 3%	
Double accumulating pressure for double ended drive				

- Standard Ø12, & Ø16mm shaft.
- Max. product weight 200kg.
- Max. total product weight on conveyor 2 tonne.
- Max. length of conveyor – 50 rollers or 15m each direction from drive, whichever is greater.
- Speed;
 - Chain sprocket 30 m/min (without excessive noise).
 - Toothed belt 90 m/min.

Driven Roller (Cont.)

Loose (Accumulating roller)

- Load Rating kg (Minimum applies).

Roller Length (mm)	Tube Material				Shaft			
	Dynopipe	Aluminium	Galv.		Spring Loaded		Fixed	
	Ø50mm	Ø50mm	Ø50mm	Ø60mm	Ø12mm	Ø14mm	Ø12mm	Ø14mm
200	30	45	50	50	50	50	50	50
300	30	45	50	50	45	50	50	50
400	28	40	50	50	40	50	50	50
500	16	30	50	50	36	50	50	50
600	12	25	50	50	28	45	50	50
700	5	20	50	50	23	43	50	50
800	3	10	50	50	19	37	50	50
900	2	5	50	50	17	32	50	50
1000	1	2	50	50	15	28	50	50
1100			50	50	13	25	50	50
1200			50	50	12	23	50	50
1300			45	50	11	21	50	50
1400			35	45	10	20	50	50
1500			20	35	9	18	50	50

- Max. static load 40kg.
- Z9S - Max. static load 20kg.
- Ø60 & Ø89 tubes – Max. 50kg
- Ø10mm shaft – Max. 20kg up to 500 long.
- Ø8mm shaft – Max. 10kg up to 250 long

Fixed Roller

- Load Rating kg (Minimum applies).

Roller Length (mm)	Tube Material				Shaft			
	Dynopipe	Aluminium	Galv.		Spring Loaded		Fixed	
	Ø50mm	Ø50mm	Ø50mm	Ø60mm	Ø12mm	Ø14mm	Ø12mm	Ø14mm
200	30	45	90	85	50	90	55	90
300	30	45	90	85	45	80	55	90
400	28	45	90	85	40	70	55	90
500	16	40	90	85	36	68	55	90
600	12	30	90	85	28	52	55	90
700	5	25	90	85	23	43	55	90
800	3	20	90	85	19	36	55	90
900	2	10	90	85	16	31	55	90
1000	1	6	85	85	15	28	55	90
1100		4	80	85	13	25	55	90
1200		2	65	85	12	22	55	90
1300			45	80	11	20	55	80
1400			35	65	10	18	55	80
1500			25	50	9	17	50	80

- Max. static load 75kg.
- Z9S - Max. static load 30kg.
- Ø60 & Ø89 tubes – Max. 80kg
- Ø10mm shaft – Max. 20kg up to 500 long.
- Ø8mm shaft – Max. 10kg up to 250 long.