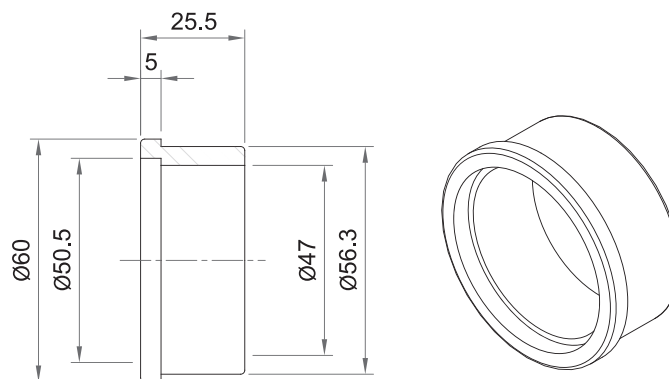


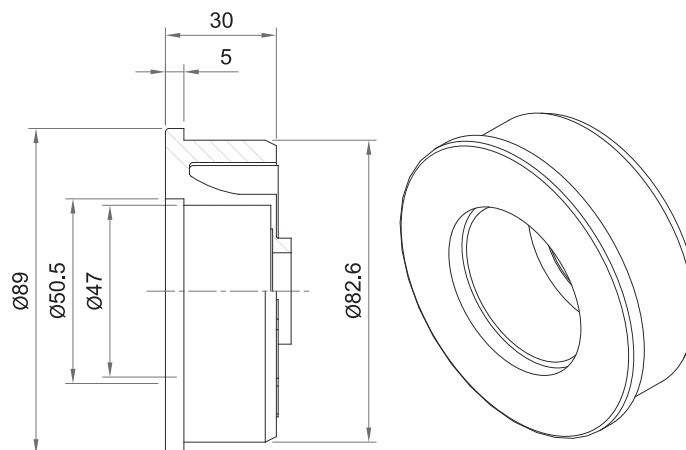
AD60 Adaptor

- Black nylon.
- Suits;
 - 60 x 2.3 tube
 - Galv. steel
 - S/S (sch. 10)



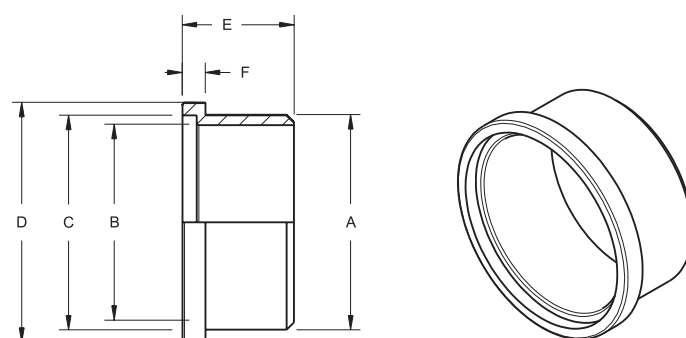
AD89 Adaptor

- Black polycarbonate.
- Suits;
 - 89 x 3.2 tube
 - Galv. steel (80 NB light)
 - S/S (80 NB sch. 10)
 - Aluminium



DR-F/L Drive Ring Details

- Fixed (F) black nylon.
- Loose (L) black acetal. (For Accumulation)
- Suits;
 - 50 x 2.8 Dynopipe
 - 50 x 1.6 tube
 - Galv. steel
 - Aluminium
 - 50.8 x 1.85
 - 50.8 x 2
 - Galv. steel
 - S/S
 - 60mm adaptors
 - 89mm adaptors



	Fixed 2.8	Loose 2.8	Fixed 1.5	Loose 1.5
A	44.7mm	44.6mm	47.25mm	47.2mm
B	39.3mm	40.6mm	39.4mm	40.6mm
C	42.5mm	44.6mm	42.6mm	44.6mm
D	50mm	49.7mm	50mm	50mm
E	25.2mm	25.2mm	25.2mm	25.2mm
F	5mm	5mm	5mm	5mm