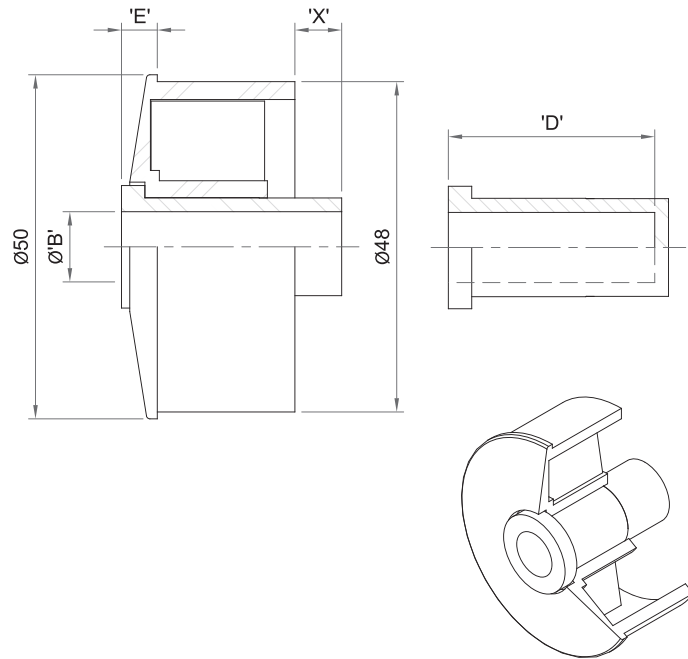


ROLLER BEARINGS

510 (S2) Bushed Bearing

- Load capacity 15kg.
- Bearing holder white ABS.
- Suits;
 - 50.8 x 1.6 tube - Galv. steel
 - S/S



Code	Bush Material	Bore Size 'B'	Extension 'E'	Inside Extension 'X'	Useable Depth of Blind Bush 'D'
510-5	White Acetal	5.1	5.5	6.5	
510-6	White Acetal	6.5	5.5	6.5	
510-8	White Acetal	8.7	5.5	6.5	
510B-8	White Acetal	8.7	5.5	6.5	17
510-9.5	White Acetal	10	5.5	6.5	
510B-9.5	White Acetal	10	5.5	6.5	30
510-10	White Acetal	10.5	5.5	6.5	
510-11	Black Nylon	11.5	7.25	0	
510B-12	Black Nylon	12.4	4.5	0	20
510-12.7	Black Nylon	12.8	7.25	0	

- Also available – Grey polypropylene Bush for high acid environments

512-10 Ball Bearing

Light duty, free running ball bearing.

- Load capacity 25kg.
- Acetal inner and outer race.
- Red – stainless steel balls (512).
- Suits;
 - 50.8 x 1.8 tube - Galv. steel
 - 50.8 x 1.5 tube - S/S
 - 50.8 x 1.43 - Aluminium
- Option;
 - Greased (G)
- Optional bore sizes
 - 512-Q
 - 512-11H
 - 512-12

