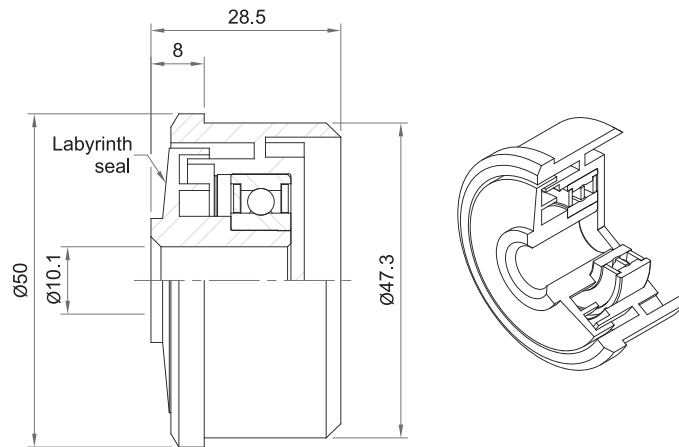


### 507B Precision Bearing

Blind bearing housing to seal tube.

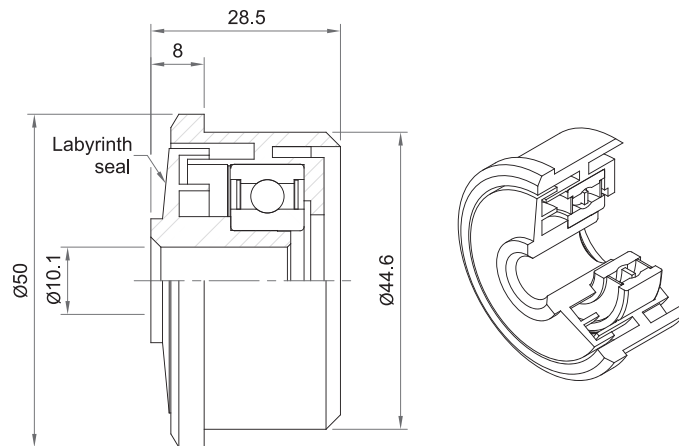
- Same details as 507.
- Not antistatic.
- Suitable for driven rollers or continuous running



### 507P-10 Precision Bearing

Most popular precision bearing.  
Matches with nylon sprockets.

- Load capacity 100kg.
- 6202 Bearing.
- Grey polypropylene housing.
- Black polypropylene labyrinth.
- Suits;
  - 50 x 2.8 tube - Dynopipe
- Optional bore sizes
  - 507P-8
  - 507P-Q
  - 507P-11H
  - 507P-12
  - 507P-14
- Also available: 507PSS - Stainless Steel bearing
- Suitable for driven rollers or continuous running



### 507T Precision Bearing

Extra large head to retain tapered elements.

- Same details as 507.
- Not antistatic.
- Suitable for driven rollers or continuous running

