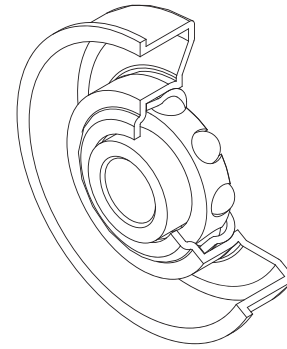
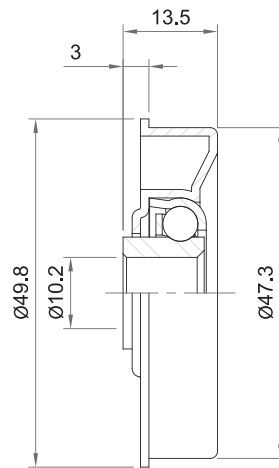


# ROLLER BEARINGS

## 503C-10 Ball Bearing

Very quiet and free running.

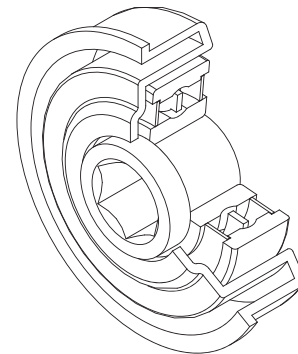
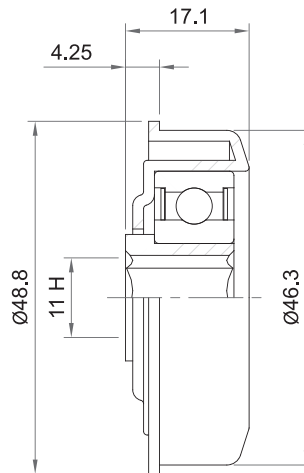
- Excellent for gravity rollers.
- Load capacity 60kg.
- All steel bearing and holder.
- Plastic ball cage, for quiet running.
- Zinc plated finish.
- Suits;
  - 50 x 1.5 tube - Galv. steel
  - 50.8 x 1.85 - Galv. steel
- Optional bore sizes
  - 503C-8
  - 503C-11H
  - 503C-12



## 505-11H Precision Bearing

Medium duty precision bearing for use when plastic housing is not desirable.

- Load capacity 100kg.
- Steel bearing housing and bush (z/plated).
- 6202Z Bearing.
- Suits;
  - 50 x 1.5 tube - Galv. steel
  - 50.8 x 1.85 - Galv. steel
- Optional bore sizes
  - 505-8
  - 505-10
  - 505-12
- 505-10 = 7.5mm
- Suitable for driven rollers or continuous running



## 507-8 / 507-10 / 507-11H / 507-12 / 507-14 Precision Bearing

Most popular precision bearing. Matches with nylon sprockets.

- Load capacity 100kg.
- 6202 Bearing.
- Black polypropylene housing (Antistatic).
- Black polypropylene labyrinth (Antistatic except 8mm).
- Suits;
  - 50 x 1.5 tube - Galv steel
  - 50.8 x 1.85 - Galv steel
  - 50 x 1.5 - S/S
  - 50.8 x 2 - S/S
  - 50 x 1.6 - Aluminium

Option; 507SS

- Suitable for driven rollers or continuous running

