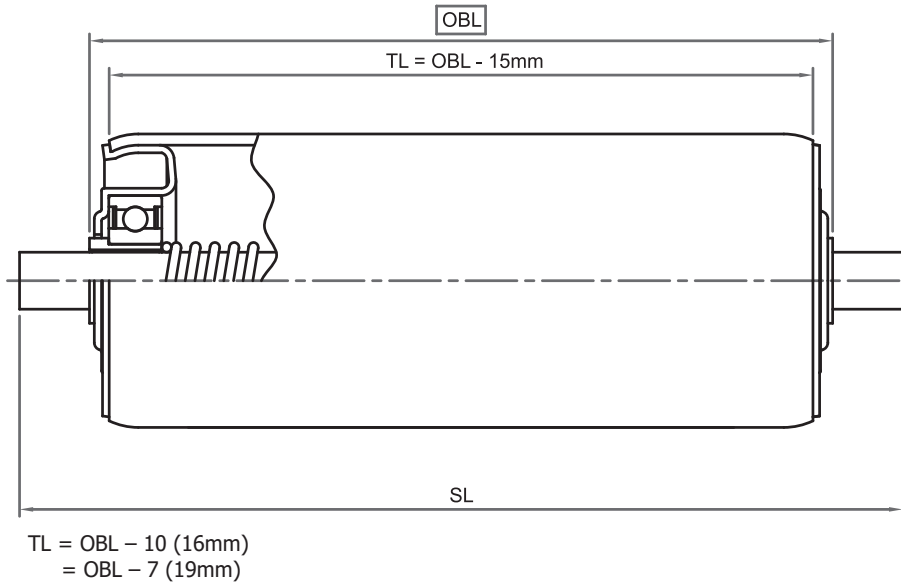


755 Tube Diameter - 76mm



Tube		Bearings		Shaft Materials	
Materials	76 x 3.2 Galv. Steel (65 NB light)	Materials	Precision bearing	Materials	Standard - Mild steel
			Steel housing and bush		Option - Stainless steel
			Zinc plated		
				Size	Standard - Ø16 Option - Ø19mm
				Type	Standard - SP Options - DL, F, FL, FT, L, MT

- Load Rating kg (Minimum applies).

Roller Length (mm)	Tube Material Galv.	Shaft			
		Spring Loaded		Fixed	
		Ø16mm	Ø19mm	Ø16mm	Ø19mm
100	350	350	350	350	350
200	350	350	350	350	350
300	350	350	350	350	350
400	350	350	350	350	350
500	350	300	350	350	350
600	350	260	350	350	350
700	350	210	350	350	350
800	280	180	350	350	350
1000	110	140	320	350	350
1200	80	110	260	350	350
1400	70	100	240	350	350
1600	50	80	200	350	350

\* Shaded sizes not recommended

- Max. speed 100m/min.
- Max. static load 300kg.
- For central point load, reduce load rating by 1/3