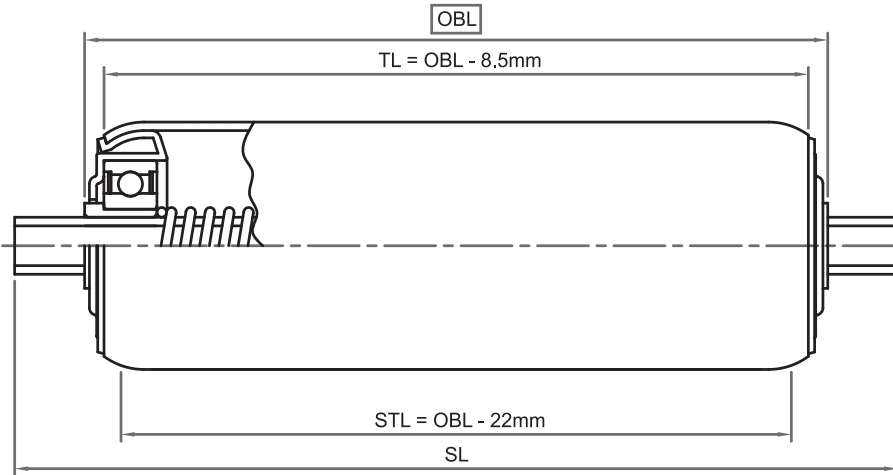


505 Tube Diameter - 50, & 50.8mm



Tube		Bearings		Shaft Materials	
Materials	50 x 1.5 Galv. steel	Materials	Precision bearing	Materials	Standard - Mild steel
	50 x 1.85 Galv. steel		Steel housing & bush		Option - Stainless steel
			Zinc plated		
				Size	Standard - 11Hex
					Option - Ø8, Ø10, Ø11, & Ø12mm
				Type	Standard - SP
					Options - DL, F, FL, FT, L, MT

- Load Rating kg (Minimum applies).

Roller Length (mm)	Tube Material Galv.	Shaft					
		Spring Loaded			Fixed		
		Ø8mm	Ø10mm	11H	Ø8mm	Ø10mm	11H
100	180	100	180	180	100	180	180
200	180	80	120	180	80	160	180
300	180	40	90	160	80	160	180
400	170	30	80	80	80	160	180
500	160	20	70	70	80	160	180
600	120	15	60	65	80	160	180
700	80	10	50	60	80	160	180
800	60	5	40	55	80	160	180
900	45		30	50	80	160	180
1000	35		20	45	80	160	180
1100	25		10	40	80	160	180
1200	20		5	35	80	160	180

* Shaded sizes not recommended

- Max. speed 70m/min.
- Max. static load 150kg.
- For central point load, reduce load rating by 1/3.

Common uses; Gravity rollers where plastic housing is not applicable – eg. high or low temperature.