



# TRANZBELT TR (TROUGH)

Tranzbelt TR are a medium duty trough conveyor designed for moving bulk products such as sand, grain, gravel, bark, coal, seed, rubble etc. The concave roller assembly vastly increases the total carrying volume and ensures efficient handling of loose materials. Dyno offers a broad range of options and accessories to guarantee a quality conveyor solution.

## Features & Benefits

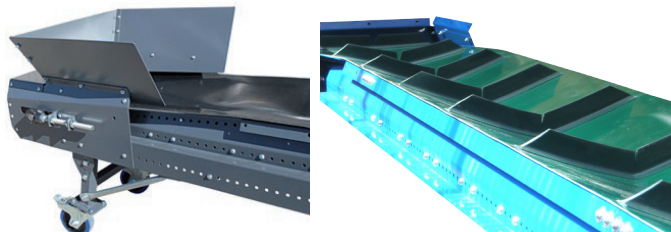
- Compact, low profile design
- Range of sizes available in lengths and widths
- A range of frame and belt materials available to suit different applications.
- Crowned drums for positive tracking
- Adjustable head and tail end
- Compact and low profile
- Range of sizes available in lengths and widths
- A range of frame and belt materials available to suit different applications.
- Belt extends over frame edges to keep any spillages off return belt
- Quick simple process to replace worn belts

## Uses

Tranzbelt TR-series is an ideal option as a waste or by-product outfeed conveyor.

It is designed for moving bulk products such as:

- Sand
- Grain
- Gravel
- Rubble
- Bark
- Coal
- Seed/fertiliser



Auckland 09 320 5535  
 Canterbury 03 307 0044  
 Southland 03 216 1440

Freephone 0800 144 044  
 Email [sales@dyno.co.nz](mailto:sales@dyno.co.nz)  
[www.dyno.co.nz](http://www.dyno.co.nz)





# TRANZBELT TR (TROUGH)

## Specifications

### Dimensions

Length: from 2.85m up to 19.65m

Width: 500mm (standard) - 750mm & 1000mm available on request

### Frame Construction

Powder coated mild steel

Colours: Pommel blue (std) custom colours available on request

304 stainless steel or aluminium options also available

### Drive Motor

3 phase Arhburg drive motor with gearbox, IP55 rated - single phase optional

Other brands and IP ratings available on request

### Belt



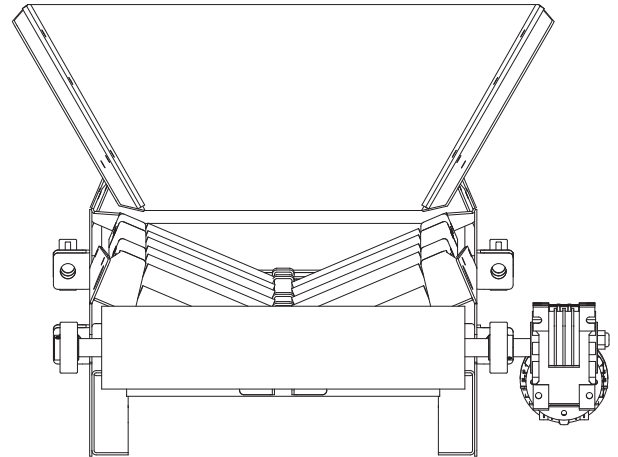
Black Flat Top

White Crescent Top

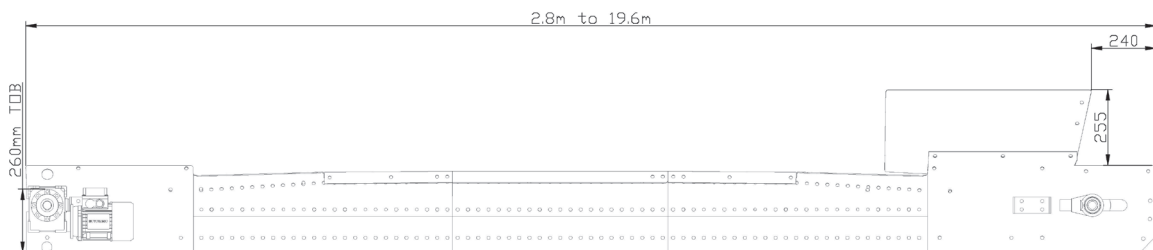
Cleated Top

### Volume

Up to 9m<sup>3</sup>/min from a 500mm wide belt



Tranzbelt TR end view



Tranzbelt TR side profile

## Options

Dyno offers a range of accessories available as optional extras to suit every application

- 3 sided steel hopper – 600 x 615 x 200d (mm) at widest point (on 500mm wide)
- Hooded top cover
- Adjustable height stands
- Castor wheels

Tranzbelt TR –series Conveyors are supplied standard with drive motor only - POA for electrical requirement if needed.

